

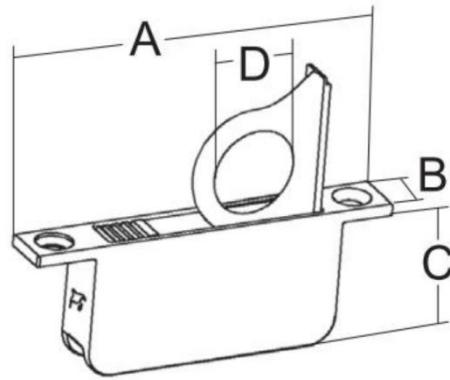
GM-12PR Pop Up Stainless Steel 316 Hatch Pull

Features

- Ring pull of stainless steel 316 construction
- Flushed surface when fully closed
- Press button to pop up handle
- Screw size #8

Material

- Stainless steel 316



Part No.	A	B	C	D
GM-12PR-B007345	85	12	27.5	19

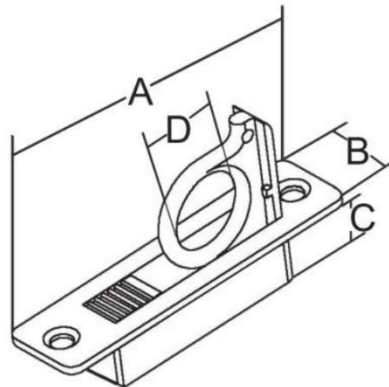
GM-PR Pop Up Stainless Steel 316 Hatch Pull

Features

- Ring pull of stainless steel 316 construction
- Flushed surface when fully closed
- Press button to pop up handle
- Screw size #8

Material

- Stainless steel 316



Part No.	A	B	C	D
GM-PR-J507480	83	21	11.5	19